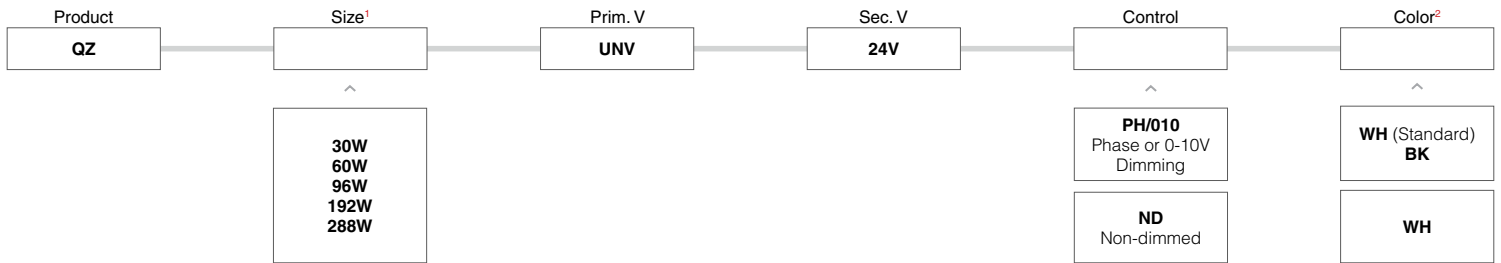


The QZ is a versatile Class 2 LED power supply with dimmable or non-dimmable options. QZ can be controlled via phase (forward or reverse) or 0-10V dimming. The Pulse Width Modulation (PWM) output provides smooth flicker-free dimming. When using phase control, a dimmer with a neutral is recommended. The driver has 24VDC constant voltage output and is available in 30-288 watts power up to 288W (96x3). The housing is also listed for indoor or outdoor use.



Part Number Builder



Technical Information

¹ Size

Size	Primary Voltage	Secondary Voltage	Secondary Current
30W	110-277V	24VDC	1.25 A
60W	110-277V	24VDC	2.5 A
96W	110-277V	24VDC	1x4 A
192W	110-277V	24VDC	2x4 A
288W	110-277V	24VDC	3x4 A

² Color

- WH** White (Standard)
- BK** Black Powder Coat Finish

Voltage Drop Chart

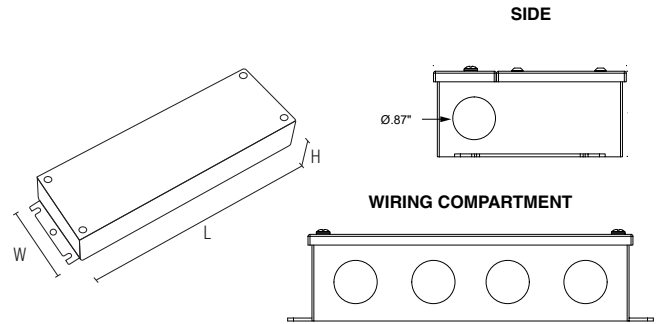
VDC	Load Wattage (W)	Distance from PS for 5% Voltage Drop								
		10 AWG	12 AWG	14 AWG	16 AWG	18 AWG	20 AWG	22 AWG	24 AWG	26 AWG
24	15	913	574	361	227	143	90	55	35	22
	30	456	287	181	114	71	45	28	17	11
	60	228	143	90	57	36	22	14	9	5
	80	171	108	68	43	27	17	10	7	4
	96	143	90	56	35	22	14	9	5	3

Wiring from power supply to light fixture must be two conductor cable



Dimensions

QZ	L (in)	W (in)	H (in)
30W	6.5	3.75	1.58
60W	7.5	3.75	1.58
96W	8.68	3.75	1.58
192W	10.94	4.33	1.77
288W	11.87	4.33	1.77



Specifications

Input	
Input Voltage (Vrms)	110-277
Input Current, max (Arms)	3.3A @ 110V
Inrush Current, max* (Apk)	43A@277V
Input Frequency (Hz)	50/60
Input Power (W)	330

Output	
Output Voltage, nom (V)	24
Output Current (A)	288W, 3x4A @ 24V
Output Power (Wmax)	288W

Environmental	Min	Nom	Max
THD (%)	---	---	20
PF (%)	0.94	---	---
Working Temp (°F)	---	---	140
IP Rating	66	---	---

*-200us event

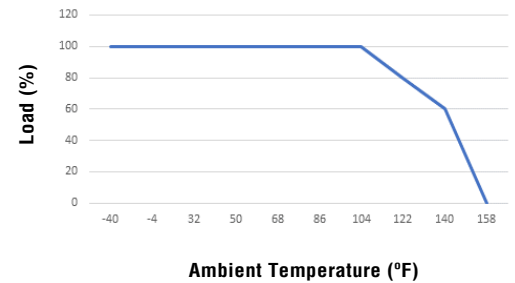
Protections

- Short Circuit Protection
- Over Loading Protection
- Over Temperature Protection
- I/P-O/P: 1.88KVAC
- I/P-O/P: 100MΩ/500VDC/77°F/70%RH

Compliance

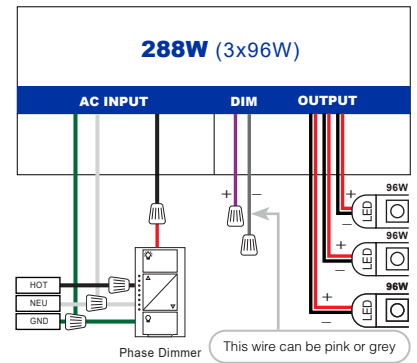
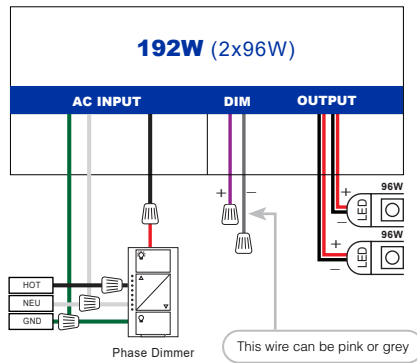
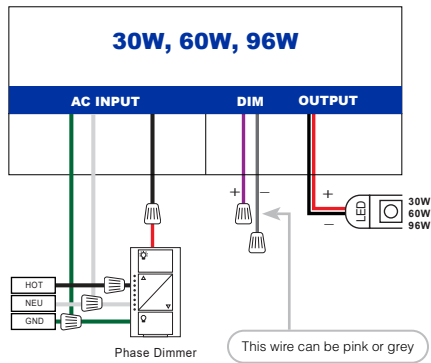
- EMI/RFI :FCC 47 CFR Part 15 Subpart B
- Certified :UL8750

Derating Curve

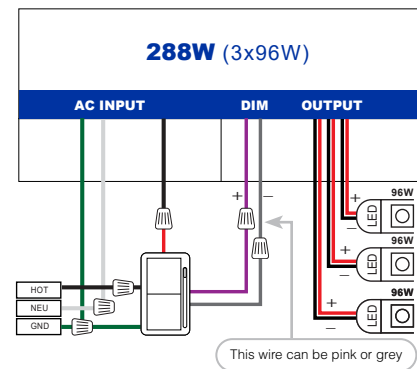
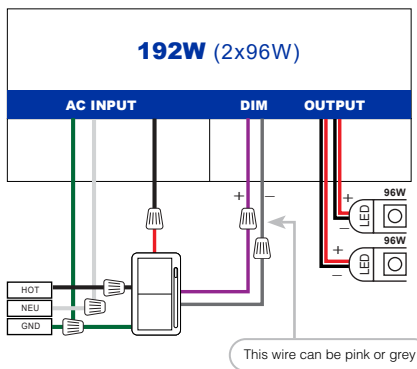
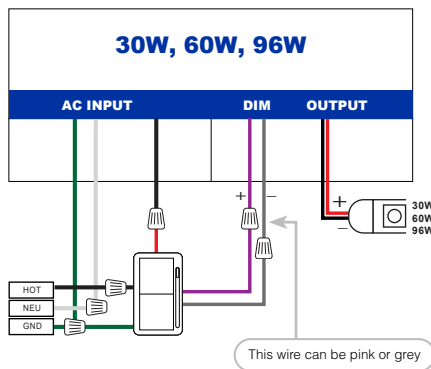


- Vertical or horizontal surface mount
- Constant voltage output
- PH/010 Dimming:
 - Phase dimming: works with forward phase / leading edge, MLV and Reverse phase / trailing edge, ELV, TRIAC dimmers
 - Dimming range: 0.1% - 100%
 - 0-10V dimming
 - 1-10V dimming
 - 10V PWM
 - Potentiometer
 - Flicker-free dimming
 - PWM (high frequency) output reduces visible flicker
- IP66 Rated
- Follows recommended practices of IEEE standard P1789 to mitigate flicker-includes health risks
- Suitable for dry, damp and wet locations
- Suitable for indoor & outdoor use
- Primary voltage - universal (110-277V)
- Wide operating temperature range: -40°F to +140°F
- UL, cUL listed
- Type HL rated
- Compliant to FCC Part 15B
- 5 year warranty

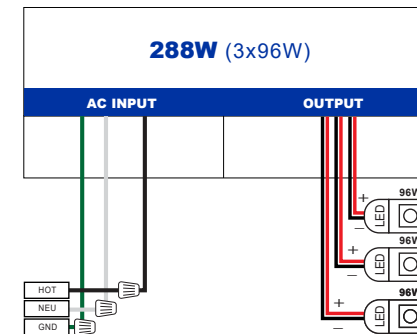
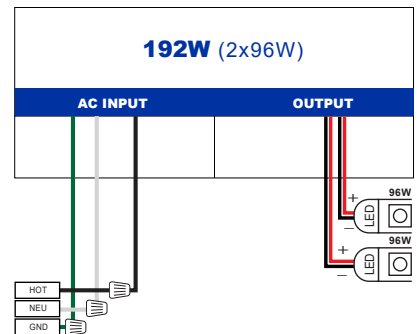
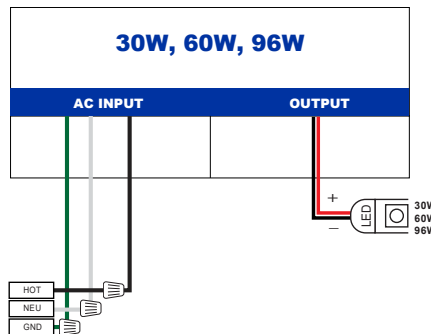
Phase Dimming



0-10V Dimming



Non Dimming



Wiring from power supply to light fixture must be two conductor cable



