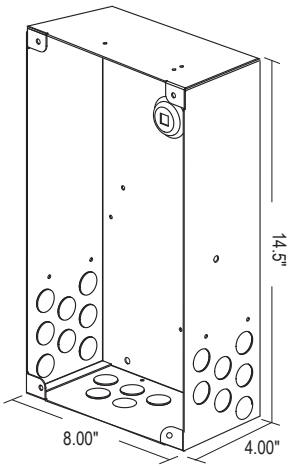


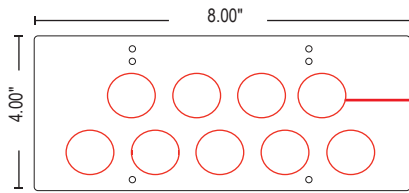
INSTALLATION LED POWER SUPPLY - QTM-DRIVE



Housing

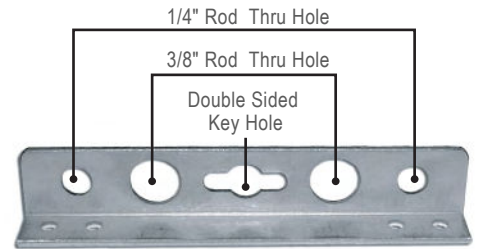


ISOMETRIC VIEW



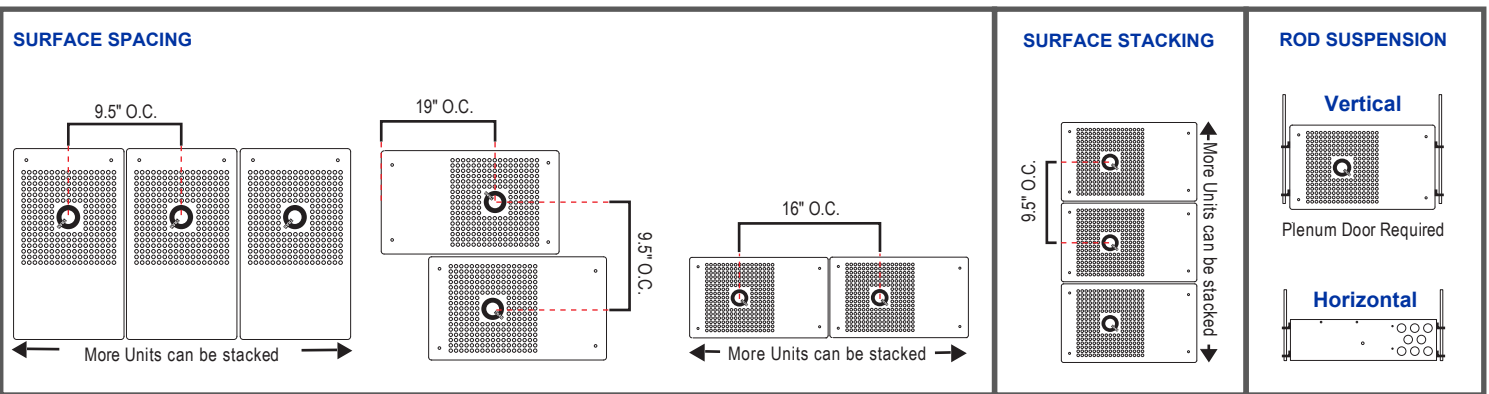
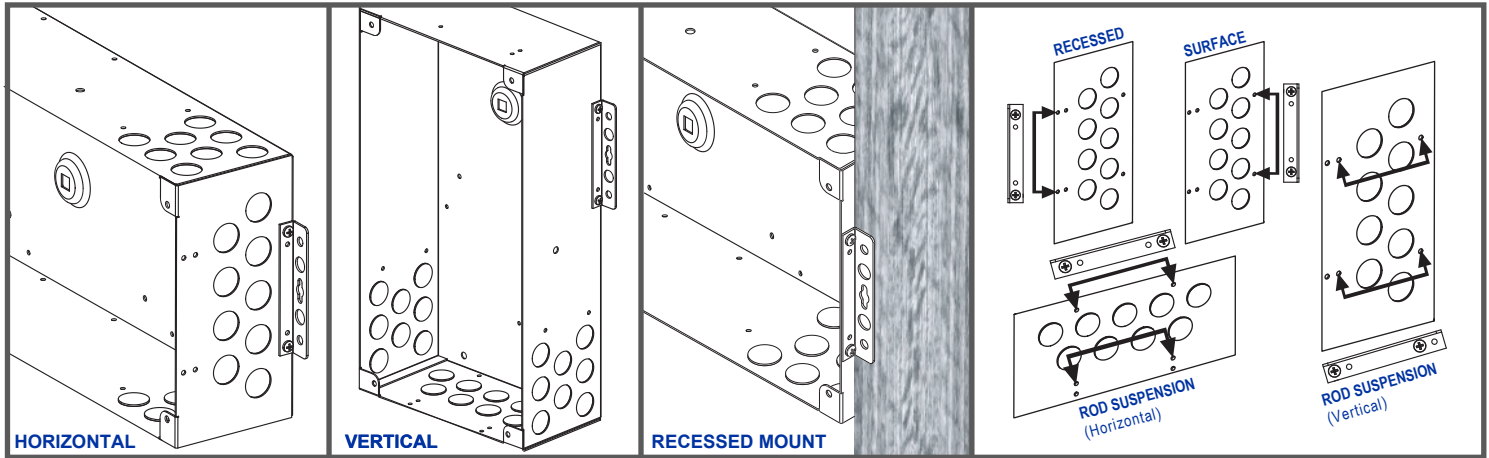
BOTTOM VIEW

0.875" KNOCKOUT 9X
(FOR 1/2" FITTINGS)



NOTE: Bracket can also be mounted (Top & Bottom) for Vertical Mounts.

Mounting Options

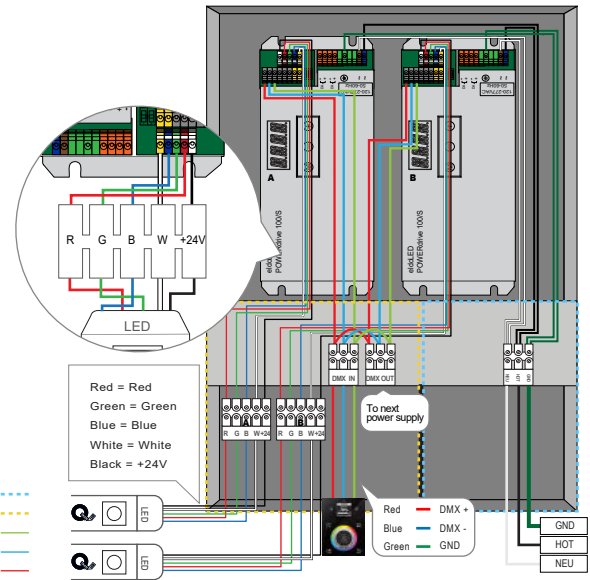
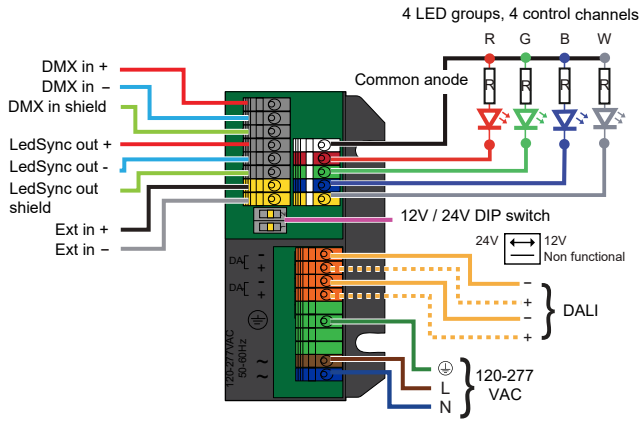


NOTE: Rods not included.

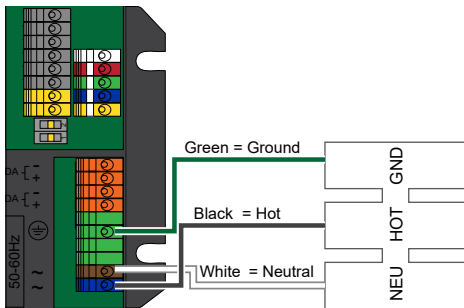
INSTALLATION LED POWER SUPPLY - QTM-DRIVE



Connecting and Configuring the LINEARdrive 100/S



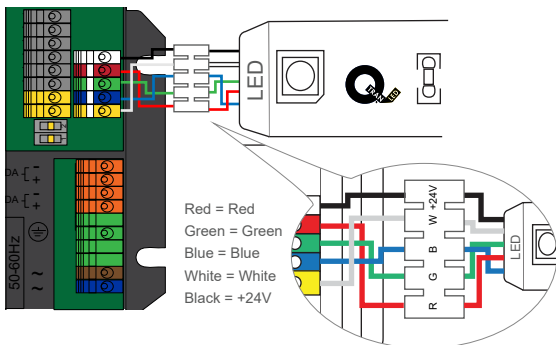
Primary Wiring



Commonly Asked Questions

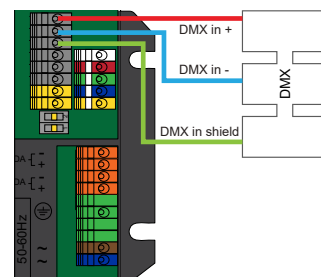
- How can I verify my installation?
 - Apply AC input, verify display turns on : This confirms AC input wiring
 - Run "Visual Test Run" : This verifies wiring of LEDs. Make sure LEDs turning on go in same order as the Test Run
- I don't have a controller yet, how can I keep my lights on?
 - Change the Mode to "COLOR" : This allows to manually set a specific color to be on
 - Adjust the Hue or WHITE to achieve the desired color : This sets that specific color
- My LEDs aren't coming out the right color. They look like white has been added in
 - Verify the Network Resolution "NETW RES" : Default is 8 BT
 - Check your DMX Programming. Stick controllers come with RGB programs by default. This will cause RGBW LEDs to show Pink vs. Red

Secondary Wiring

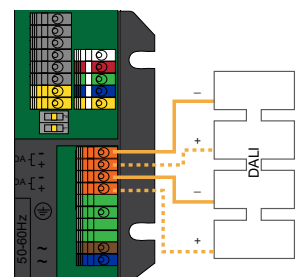


Control Wiring

DMX Connections



DALI Connections



NOTE: The unit will be factory wired based on the way the unit is ordered.
Only the one applicable control will be prepared.
: DMX shielding wire must be grounded to Earth ground external to power supply.



WARNING: Risk of electrical shock. May result in serious injury or death. Disconnect power before servicing or installing.



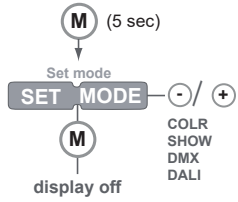
CAUTION: The device may only be connected and installed by a qualified electrician. All applicable regulations, legislation and building codes must be observed. Incorrect installation of the device can cause irreparable damage to the device and the connected LEDs.

INSTALLATION LED POWER SUPPLY - QTM-DRIVE

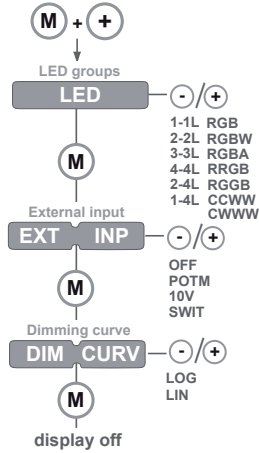


Manual Configuration

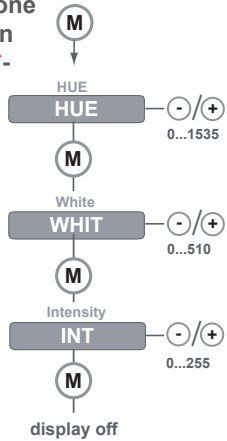
1. Select mode of operation:



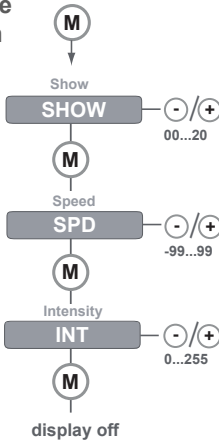
2. Set LED groups:



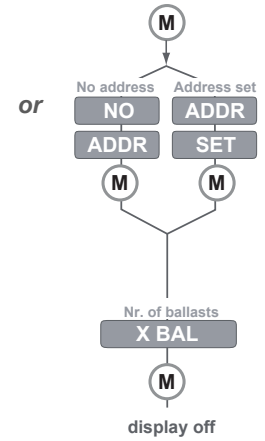
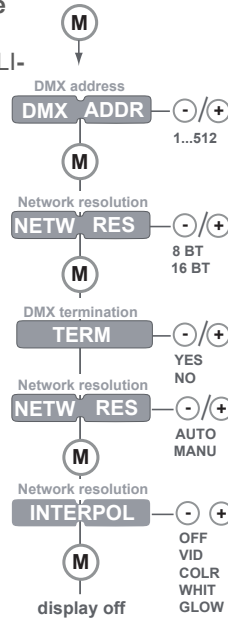
3. Standalone operation - Colour*-



Standalone operation - Show-



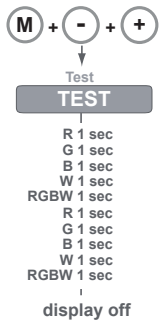
Standalone operation - DMX or DALI-



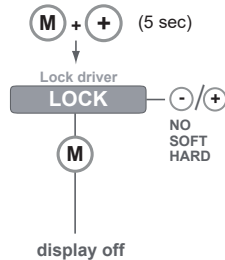
*The colour menu depends on the LED group settings you have selected in step 2.

Other Features

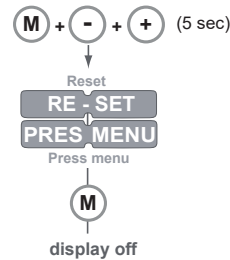
Visual test run



Locking the configuration:



Reset to factory defaults

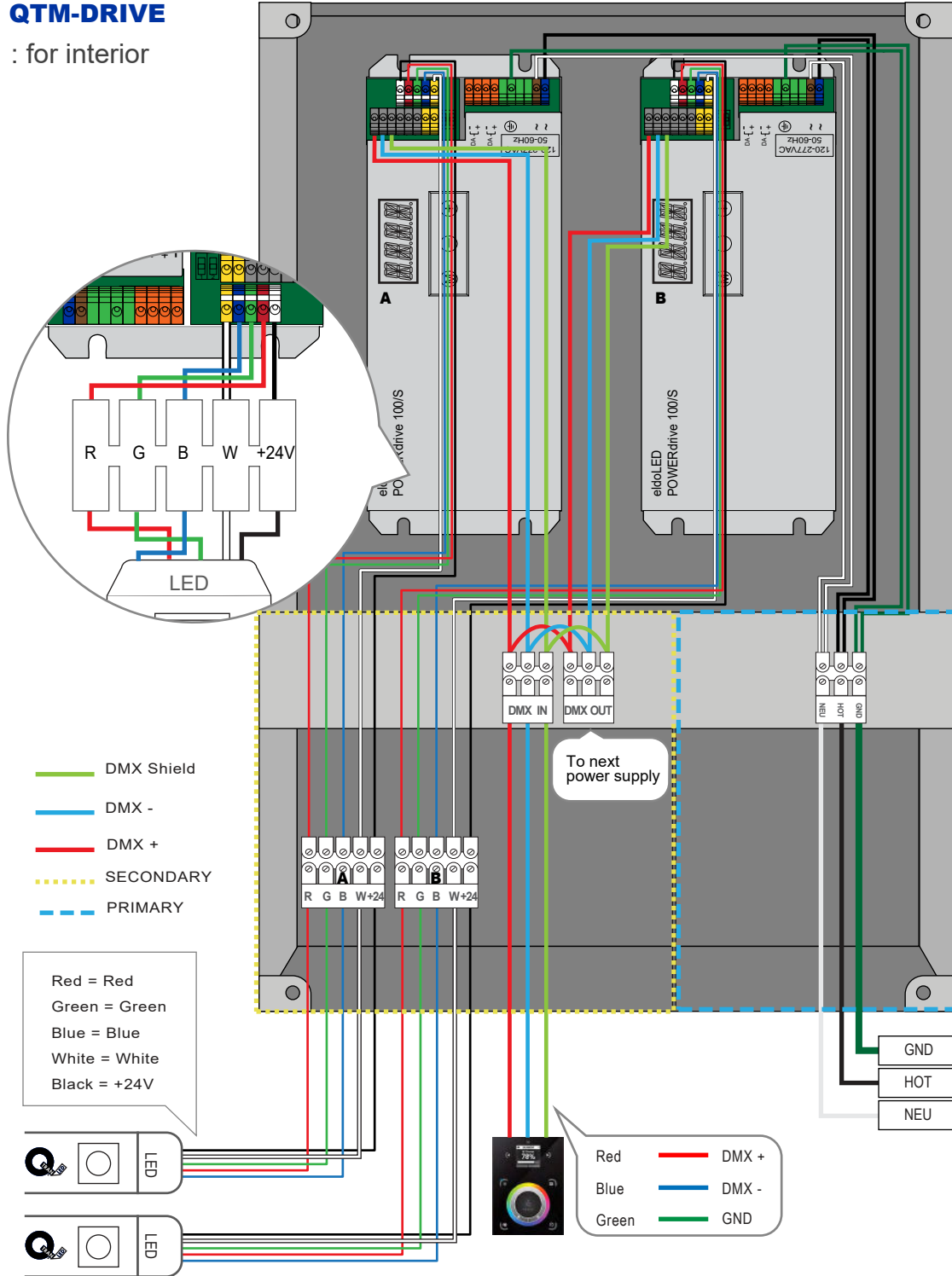


INSTALLATION LED POWER SUPPLY - QTM-DRIVE



Wiring Installation

QTM-DRIVE
: for interior



INSTALLATION LED POWER SUPPLY - QTM-DRIVE



CSA Requirements

- Suitable for indoor use
- This power supply must be installed according to the National Electric Code and local codes and ordinances and in accordance with applicable installation code by a person familiar with the construction and operation of the product and the hazards involved.
- Wear rubber shoes and work on a sturdy wooden or fiberglass ladder.
- This power supply is to be installed in a location where it is not likely to be contacted by non-electricians.
- To avoid a hazard to children, account for all parts and destroy all packaging materials.
- DMX shield wire must be grounded to earth ground at a single point external to power supply.

QTM-DRIVE		INPUT VOLTAGE			OUTPUT VOLTAGE		CONTROL TYPE
		120V-277V			12V	24V	
Model	Input Voltage (V)	Input Current (A)	Frequency	Nominal Output Voltage (VDC)	Nominal Output Wattage (W)		
QTM-DRIVE-60	120/277	0.67	50/60	12	60	<input type="checkbox"/> DMX <input type="checkbox"/> DALI	
QTM-DRIVE-120	120/277	1.30	50/60	12	120		
QTM-DRIVE-100	120/277	1.05	50/60	24	100		
QTM-DRIVE-200	120/277	2.10	50/60	24	200		

- Type IC recessed, inherently protected
Type IC ENCASTRE, PROTECTION INHÉRENTE
- Wall mount only
INSTALLATION MURALE SEULEMENT
- Suitable for damp locations
CONVIENT AUX EMPLACEMENTS HUMIDES
- Not for use with dimmers
NE CONVIENT PAS À DES GRADATEURS
- For supply connections use wire rated for at least 60°C.
- Class 2

This product must be installed in accordance with the applicable installation code by a person familiar with the construction and operation of the product and the hazards involved.



CE PRODUIT DOIT ÊTRE INSTALLÉ SELON LE CODE D'INSTALLATION PERTINENT, PAR UNE PERSONNE QUI CONNAÎT BIEN LE PRODUIT ET SON FONCTIONNEMENT AINSI QUE LES RISQUES INHÉRENTS.

WARNING:
RISK OF FIRE. IF INSTALLATION INVOLVES RUNNING WIRE THROUGH A BUILDING STRUCTURE, SPECIAL WIRING METHODS ARE NEEDED. CONSULT A QUALIFIED ELECTRICIAN

RISQUE D'INCENDIE. SI L'INSTALLATION IMPLIQUE UN FIL DE COURANT À TRAVERS UNE STRUCTURE DE BÂTIMENT, DES MÉTHODES DE CÂBLAGE SPÉCIALES SONT NÉCESSAIRES. CONSULTEZ UN ÉLECTRICIEN QUALIFIÉ

LOW VOLTAGE LIGHTING SYSTEM

Q-Tran, Inc.
CLASS: 3425 - 15
3425 - 95

Q-TRAN, INC.
MILFORD, CT U.S.A.
(203) 367-8777
WWW.Q-TRAN.COM