

QZ-DMX

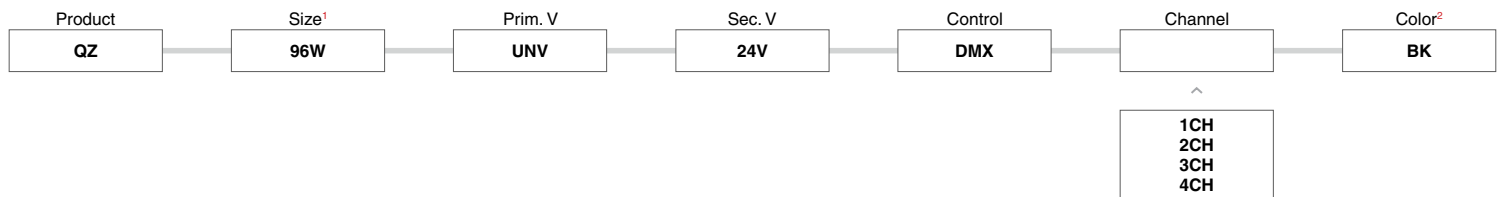
LED POWER SUPPLY 96W



The QZ-DMX is a versatile Class 2 LED power supply with DMX control capabilities. The driver has 24VDC constant voltage output and is available in 96 watts. The QZ-DMX features up to 4 channel outputs that can power static white, static color, warm dim and dynamic color LED products. The driver is also listed for indoor or outdoor use. Compatible with the Q-Tran NFC App for reading and writing DMX Addresses and adjusting output voltage.



Part Number Builder



Technical Information

² Color

BK Black Powder Coat Finish

¹ Size

Channel	Size	Primary Voltage	Secondary Voltage	Secondary Current	Compatible Light engine
CH1	96W	100-277V	24VDC	1X4A	SW, SW-HE, SW-HE+, SC, WD
CH2	96W	100-277V	24VDC	2X2.08A	DW, DW-HE
CH3	96W	100-277V	24VDC	3X1.39 A	RGB
CH4	96W	100-277V	24VDC	4X1.04A	RGBW

Voltage Drop Chart

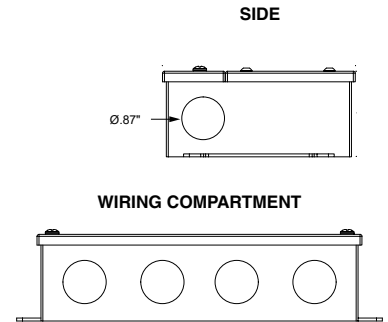
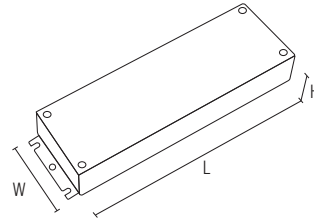
VDC	Load Wattage (W)	Distance from PS for 5% Voltage Drop								
		10 AWG	12 AWG	14 AWG	16 AWG	18 AWG	20 AWG	22 AWG	24 AWG	26 AWG
24	15	913	574	361	227	143	90	55	35	22
	30	456	287	181	114	71	45	28	17	11
	60	228	143	90	57	36	22	14	9	5
	80	171	108	68	43	27	17	10	7	4
	96	143	90	56	35	22	14	9	5	3

Wiring from power supply to light fixture must be single multiconductor cable



Dimensions

QZ	L (in)	W (in)	H (in)
96W	9.5	4.5	1.6



Specifications

Input	
Input Voltage (Vrms)	100-277
Input Current, max (Arms)	1.25A @ 100V
Inrush Current, max* (Apk)	48.5A@277V
Input Frequency (Hz)	50/60
Input Power (W)	125

Output	
Output Voltage, nom (V)	24
Output Current (A)	4.17A @ 24V
Output Power (Wmax)	96W

Environmental	Min	Nom	Max
THD (%)	---	---	20
PF (%)	0.94	---	---
Working Temp (°F)	---	---	140
IP Rating	66	---	---

*-200us event

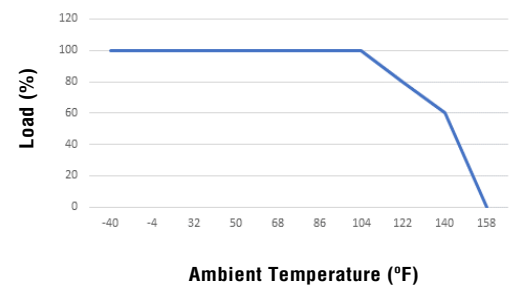
Protections

- Short Circuit Protection
- Over Loading Protection
- Over Temperature Protection
- I/P-O/P: 1.88KVAC
- I/P-O/P: 100MΩ/500VDC/77°F/70%RH

Compliance

- EMI/RFI :FCC 47 CFR Part 15 Subpart B
- Certified :UL8750

Derating Curve

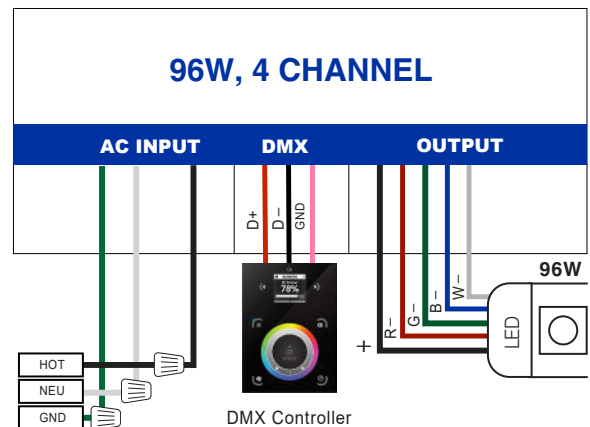
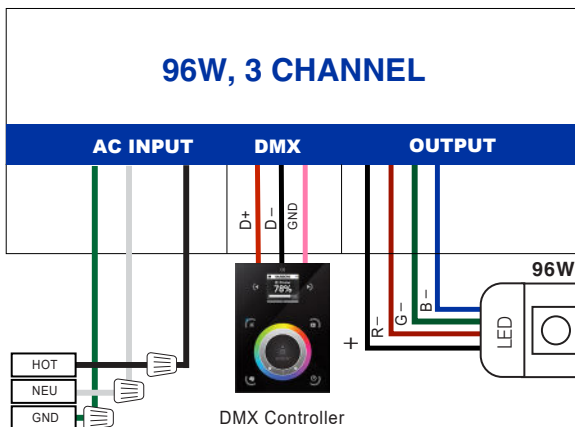
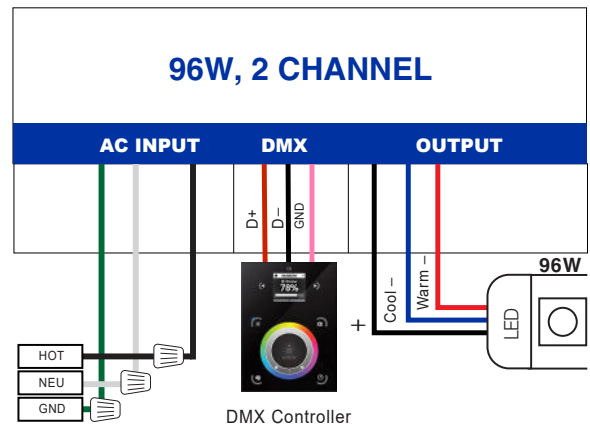
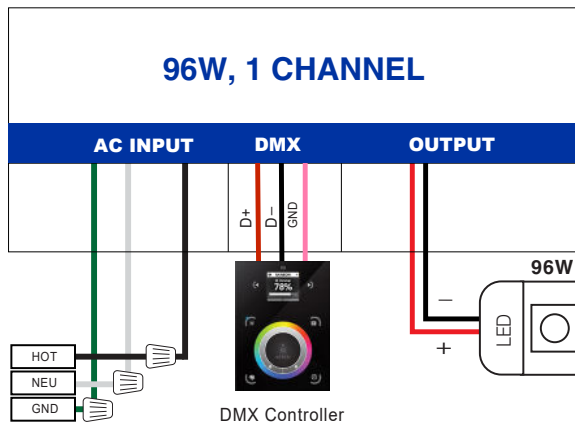


- Vertical or horizontal surface mount
- Constant voltage output
- 8 Bit DMX Control
- RDM addressing
- NFC App for addressing & Voltage adjust
- Adjustable output voltage - Range: 24V-26V
- DMX dimming down to 0.1%
- IP66 Rated

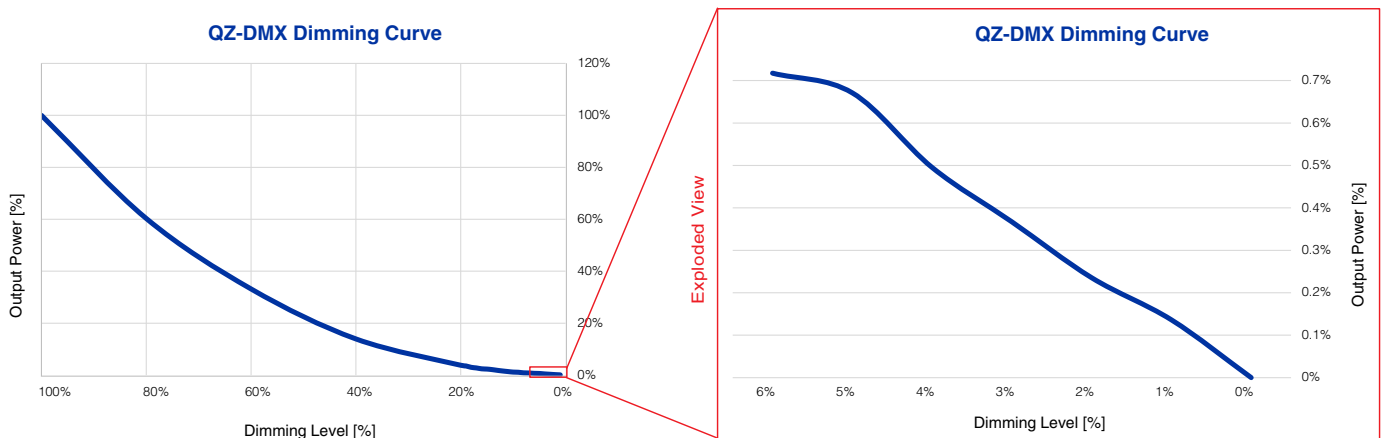
- Suitable for dry, damp and wet locations
- Suitable for indoor & outdoor use
- Primary voltage - universal (100-277V)
- Wide operating temperature range: -40°F to +140°F
- UL, cUL listed
- Type HL rated
- Compliant to FCC 47 CFR Part 15 Subpart B
- 5 year warranty



WIRING DIAGRAM



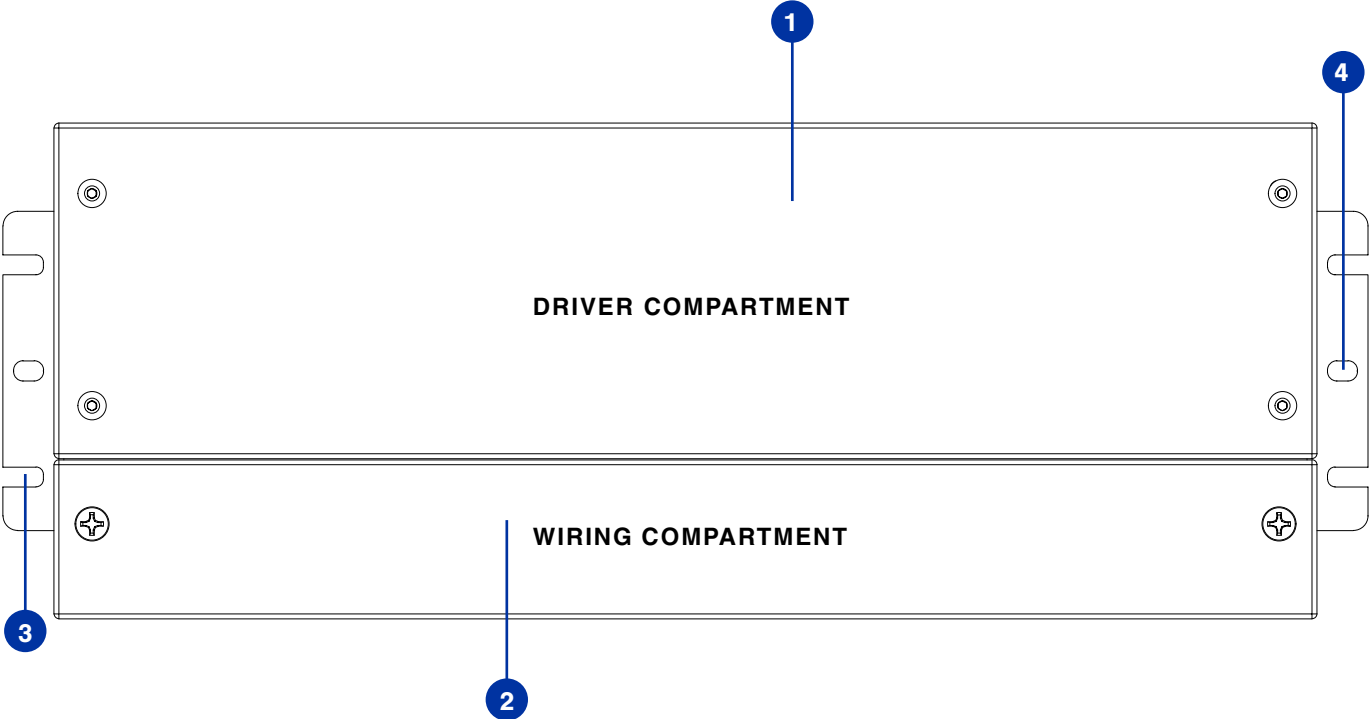
- Wiring from power supply to light fixture must be single multiconductor cable.
- For best practice use a DMX Optosplitter for splitting DMX connections.
- Default DMX address for the driver is #1 and default output voltage is 24V.



INSTALLATION LED POWER SUPPLY - QZ-DMX



TOP VIEW



QZ Components

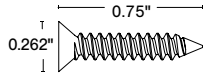
- 1 Driver Compartment
- 2 Wiring Compartment
- 3 Mounting Tab Slots
- 4 Mounting Tab Holes

INSTALLATION LED POWER SUPPLY - QZ-DMX

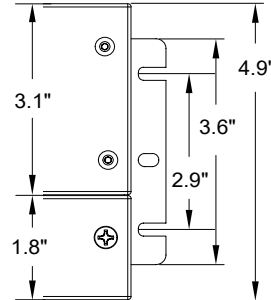


Required Hardware

#6 Flat head screw



Mounting Foot:

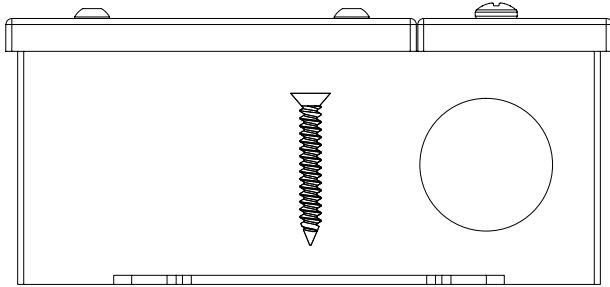


96W

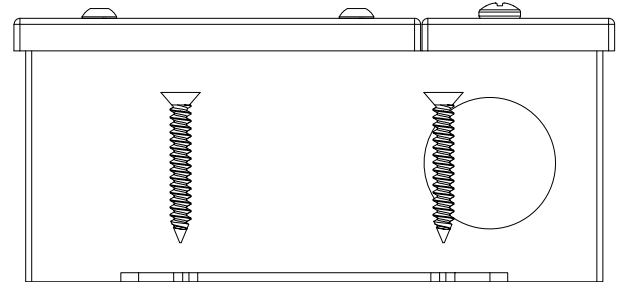
Mounting

- 1 The QZ-Non Dim can be mounted either vertically or horizontally, utilizing the supplied screws and the mounting tabs on the bottom of the enclosure

CENTER HOLE

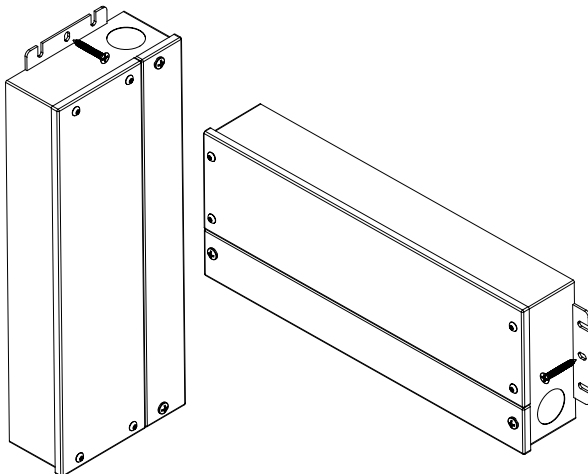


SIDE SLOTS

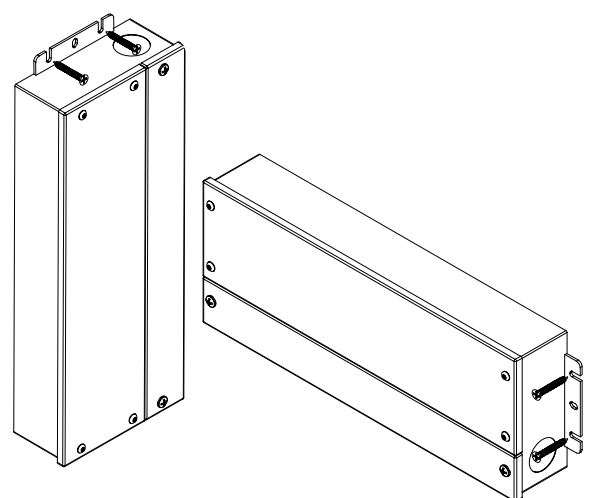


- 2 The QZ must be mounted into a stud for sufficient support, using either the center holes or the slots of each mounting tab

CENTER HOLE



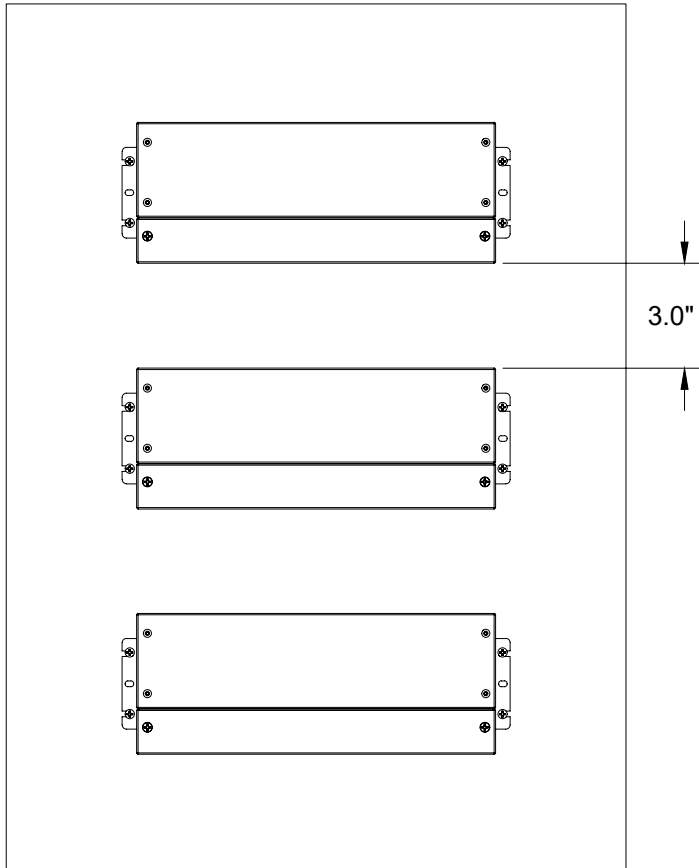
SIDE SLOTS



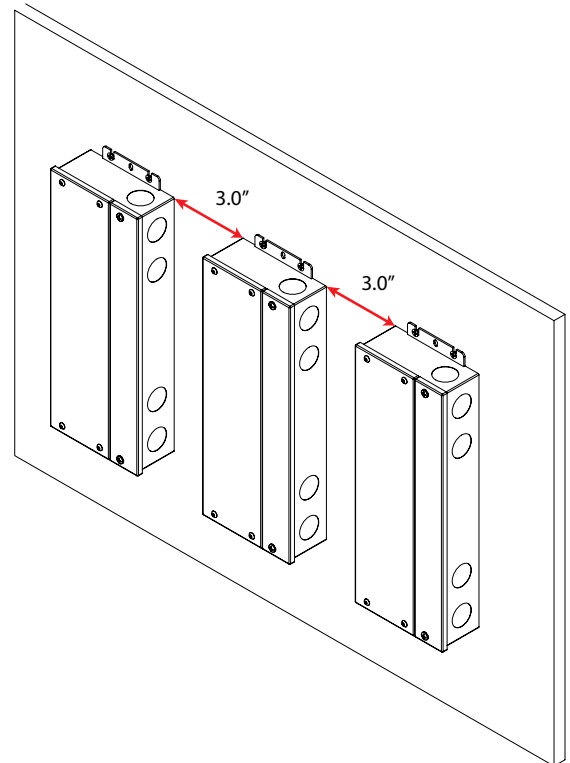
INSTALLATION LED POWER SUPPLY - QZ-DMX



- 3 When installing multiple QZ power supplies, separate the enclosures by 3" of space from edge to edge. This prevents the rise of ambient temperature between the power supplies.



Horizontal mount illustrated above

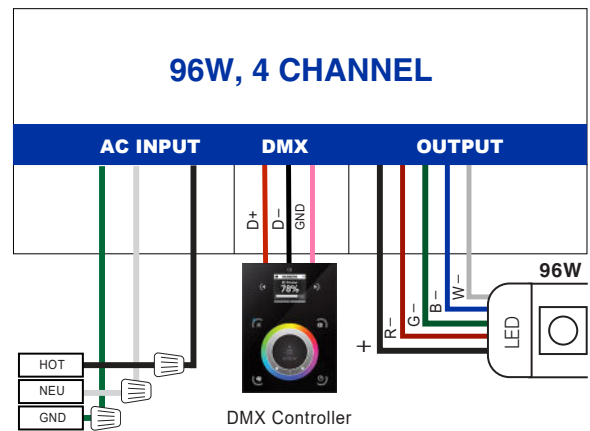
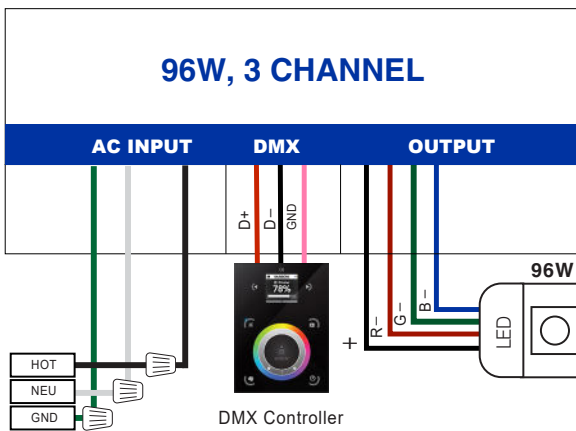
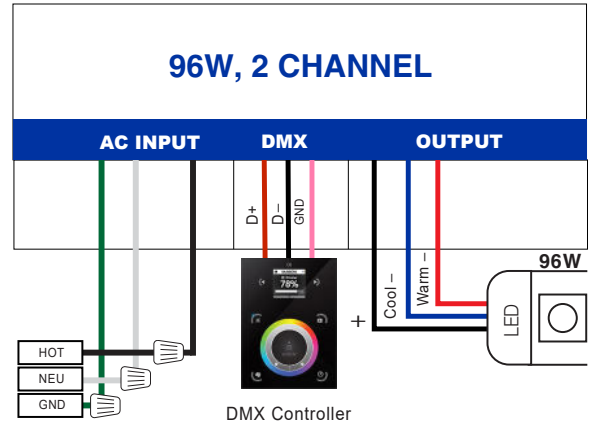
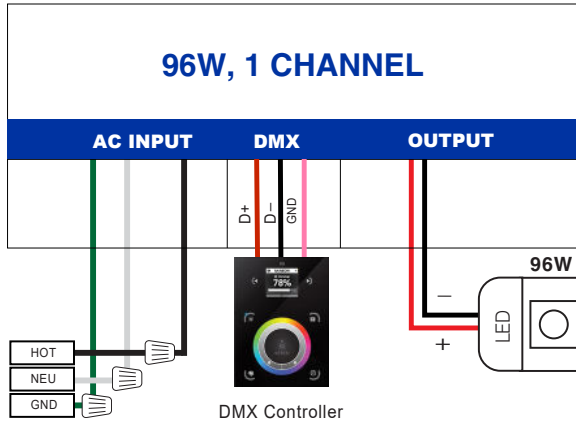


Vertical mount illustrated above

INSTALLATION LED POWER SUPPLY - QZ-DMX



4 Wiring diagram



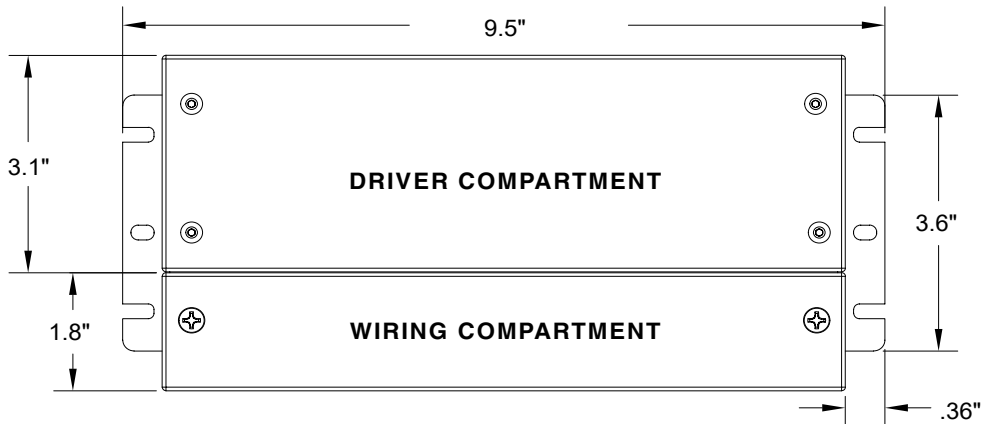
Wiring from power supply to light fixture must be single multiconductor cable

INSTALLATION LED POWER SUPPLY - QZ-DMX



QZ-DMX 96W

TOP VIEW



WIRING COMPARTMENT VIEW

